



Standard Port

	Time (adj for DST)	Height	Range
LW			
HW			
LW			
HW			
LW			

Eastern Solent

	from	to
E		
W		
E		
W		

Western Solent

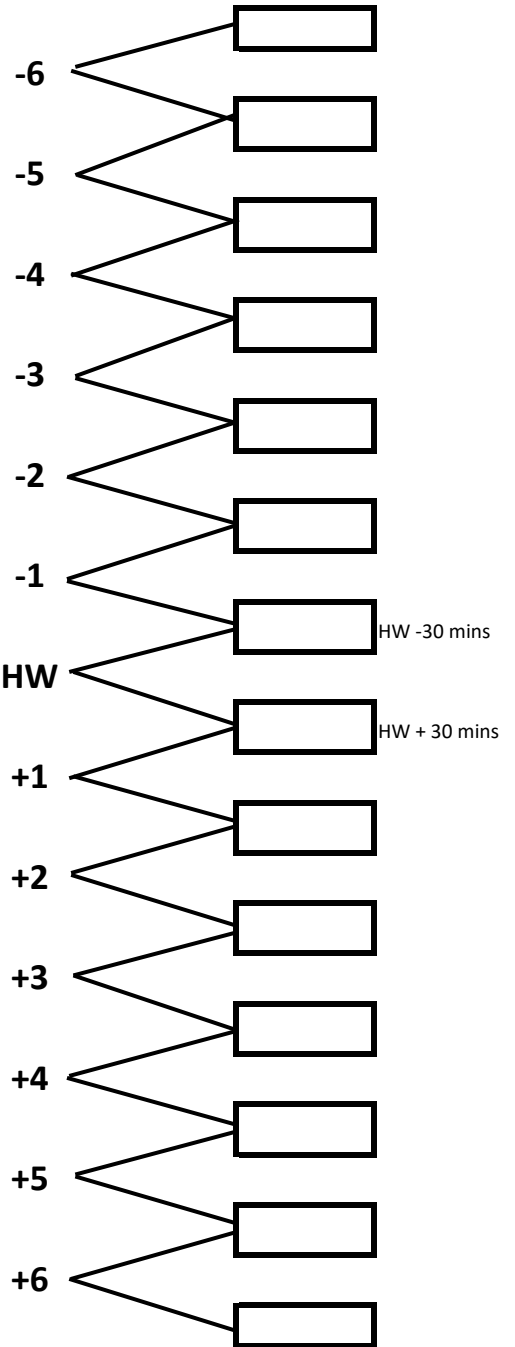
	from	to
E		
W		
E		
W		

Weather (24 hr inshore met office)

Wind	
Sea State	
Weather	
Viz	

Wind (Predict wind/Windy)

	Direction	Knots
06.00-09.00		
9.00-12.00		
12.00-15.00		
15.00-18.00		
18.00-21.00		
21.00-23.59		



Shower Code